



Product catalogue

VERSION 11.1





Ilmer Mechanical Engineering

The foundation stone for the company's success today was laid already in 1961. Always open to new technology, with attention to detail and pure perfectionism – this is still the standard goal of Ilmer Mechanical Engineering.

Today our professional implements for orchards and vineyards are exported to more than 40 countries and sold exclusively under the Ilmer brand via a growing dealer network.

Quality first!

“Made in South Tyrol” - Nearly all relevant components are manufactured in-house and undergo meticulous quality controls. Only the combination of intelligent 3D planning and consistent use of high-tensile steels makes our particularly compact, lightweight and at the same time extremely stable construction method possible.

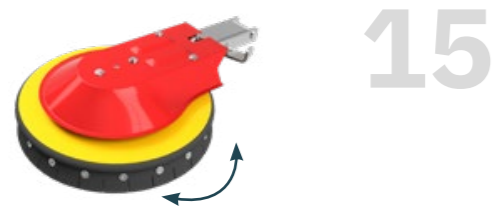
Before delivery, every single machine is subjected to a comprehensive acceptance report and tested once again on the test bench. The respective assembly technician signs the Ilmer test seal for final approval.

Index

Rotary mowers



Swingarm systems



Herbicide units



Tool carrier frames



Mechanical weed control



Forklifts



Maximum cutting performance!
The Ilmer rotary mowers



Simple technology in perfection!

The M2 series

Model OFFSET	Cutting width	Side shift (in cm) Centre of tractor		Number of blades	Weight	Power requirement	Dimensions	
		Width	Depth					
M2 - Q85	85 cm	26 : 59	-47 : 132	1	280 kg	15 hp	135 cm	145 cm
M2 - U125+	125 cm	63 : 62	-1 : 126	2	275 kg	20 hp	130 cm	130 cm
M2 - C150	150 cm	69 : 81	3 : 147	2	285 kg	20 hp	155 cm	130 cm
M2 - C150+	150 cm	69 : 81	3 : 147	2	290 kg	20 hp	155 cm	130 cm
M2 - G170	170 cm	78 : 92	4 : 166	2	305 kg	24 hp	175 cm	140 cm
M2 - G170+	170 cm	78 : 92	4 : 166	2	310 kg	24 hp	175 cm	140 cm

Model	Cutting width	Side shift	Number of blades	Weight	Power requirement	Dimensions	
						Width	Depth
M2 - V150	150 cm	33 + 33 cm	2	305 kg	20 hp	155 cm	140 cm
M2 - T180	180 cm	33 + 33 cm	3	325 kg	28 hp	185 cm	110 cm
M2 - F210	210 cm	33 + 33 cm	3	340 kg	31 hp	215 cm	130 cm
M2 - D230	230 cm	33 + 33 cm	3	355 kg	34 hp	235 cm	130 cm
M2 - K250	250 cm	35 + 35 cm	3	400 kg	41 hp	255 cm	150 cm



Wide offset!

Allows centralized tractor passage throughout the orchard. Thanks to lateral grass discharge, the inter-row area is perfectly covered with the shredded mulch mass.



Blossom strips in the orchard!

The M2-Q85 has been specially developed for mulching with blossom strips. The ergonomic design prevents the flowering strips from snapping off.

Ideal ground hugging
thanks to three-point suspension
with integrated float position (Cat. I)

A master of reliability!

Strong angular gear, oversized drive as well as protective labyrinth seal of the blade bearing

All inclusive!

Front-rear mounting and hydraulic side shifting



Individual setting of the cutting height as required for gentle and efficient work

The PLUS models!

Can be combined with various attachments for mechanical weed control



Page 40

Page 41

That's fun!

Easy and quick maintenance thanks to directly accessible greasing points



Precise and manoeuvrable!

The ergonomic design enables precise working in the smallest of spaces and prevents accidental snagging. The standard side shift helps additionally.



The PLUS models - Even more efficient

Clean mulching and gentle, mechanical weed control combined.

Pure cutting performance!

The ZMG series

Model	Cutting width	Side shift (optional)	Number of blades	Weight	Power requirement	Dimensions	
						Width	Depth
ZMG 120	120 cm	---	3	375 kg	22 hp	125 cm	115 cm
ZMG 160	160 cm	15 + 15 cm	3	415 kg	24 hp	165 cm	115 cm
ZMG 180	180 cm	15 + 15 cm	3	435 kg	30 hp	185 cm	115 cm
ZMG 210	210 cm	15 + 15 cm	3	475 kg	35 hp	215 cm	135 cm
ZMG 220	220 cm	15 + 15 cm	3	485 kg	37 hp	225 cm	140 cm
ZMG 230	230 cm	15 + 15 cm	3	505 kg	40 hp	235 cm	135 cm
ZMG 240	240 cm	15 + 15 cm	3	505 kg	43 hp	245 cm	140 cm
ZMG 260	260 cm	15 + 15 cm	3	530 kg	47 hp	265 cm	140 cm
ZMG 280	280 cm	15 + 15 cm	3	560 kg	50 hp	285 cm	140 cm

Reliable technology!
Robust angular gears, indirect drive of the blades via V-belt and protective labyrinth seal of the blade bearings

Universal three-point frame!
Front-rear mounting (cat. I+II) or with trailer hitch for sprayers - everything is possible



Ideal ground hugging
thanks to three-point suspension with integrated float position

Uncompromising!
Enormous cutting performance, extreme blade overcut, high travel speed, even at extreme speed conditions

Intelligent, solid construction!
Compact, weight-optimized and extremely reliable thanks to high-strength steels and quality components



Mulch-spray combination

The special frame optimally transfers the load of the trailer drawbar to the tractor, while the rotary mower can move freely.



Pure cutting performance!

More grass throughput, extreme blade overcut for maximum cutting performance at high speeds.



Selectable grass discharge

The grass discharge can be selected to be either evenly behind the rotary mower (see illustration) or on both sides of the understock-area.



This is how maintenance is fun

Simply incline the gear plate with two setting screws and the V-belts are retightened.

The power pack!

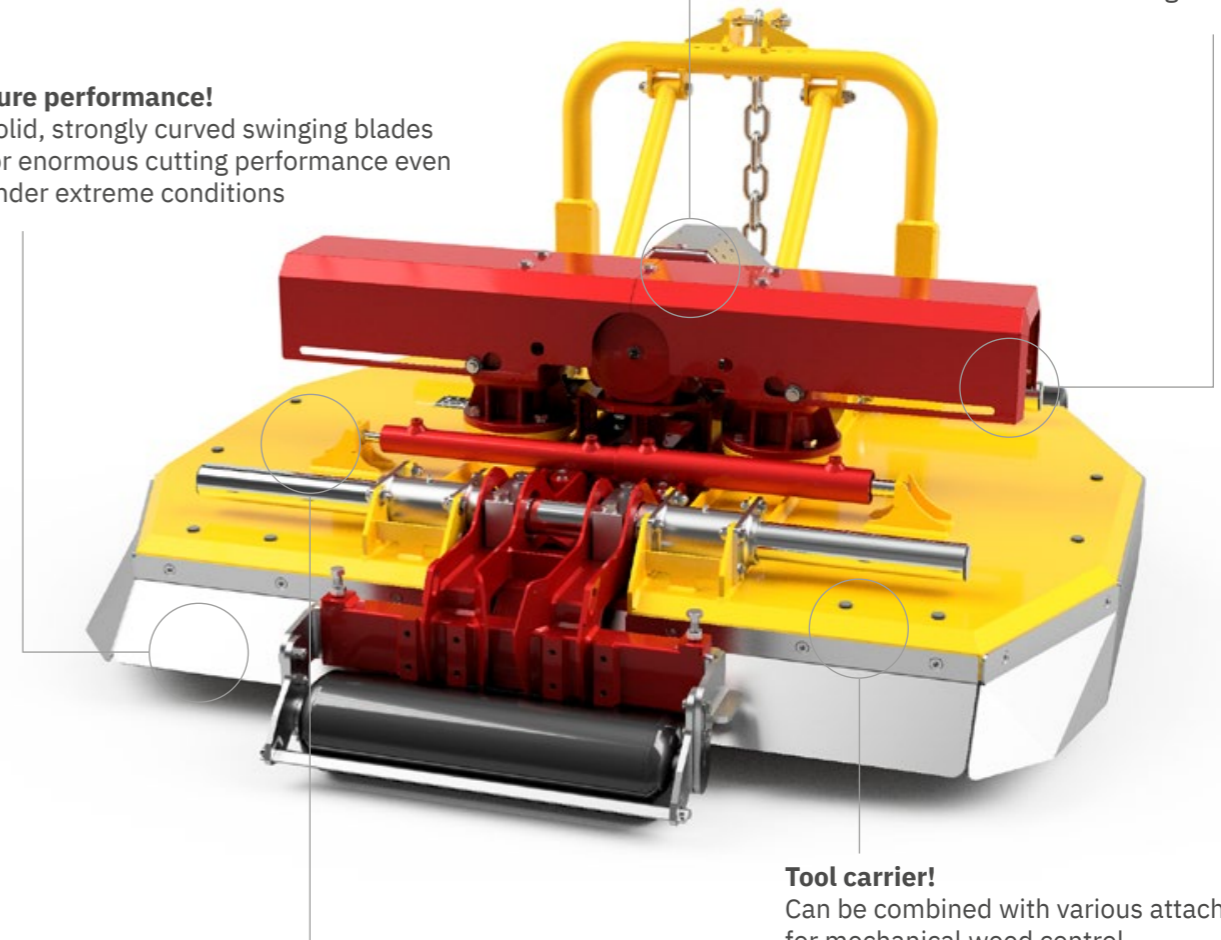
The LMG series

Model	Cutting width	Number of swinging blades	Weight	Power requirement	Dimensions	
					Width	Depth
LMG 145 heavy duty	115 - 145 cm	2 + 2	445 kg	30 hp	120 cm	130 cm
LMG 175 heavy duty	130 - 175 cm	2 + 2	495 kg	35 hp	135 cm	145 cm
LMG 195 heavy duty	140 - 190 cm	2 + 2	515 kg	40 hp	145 cm	155 cm
LMG 210 heavy duty	150 - 210 cm	2 + 2	545 kg	45 hp	155 cm	160 cm
LMG 230 heavy duty	165 - 230 cm	2 + 2	585 kg	50 hp	170 cm	165 cm
LMG 260 heavy duty	190 - 260 cm	2 + 2	650 kg	50 hp	195 cm	180 cm
LMG 260 compact	185 - 260 cm	2 + 2 + 2	610 kg	50 hp	190 cm	135 cm
LMG 285 compact	200 - 280 cm	2 + 2 + 2	645 kg	55 hp	205 cm	145 cm
LMG 310 compact	215 - 305 cm	2 + 2 + 2	680 kg	60 hp	220 cm	155 cm
LMG 345 compact	240 - 345 cm	2 + 2 + 2	735 kg	65 hp	245 cm	165 cm

Individually configurable!
Front or rear mount, synchronous or separate hydraulic width adjustment, 540 or 1,000 PTO

That's fun!
Protective, high positioned blade support, as well as directly accessible greasing points

Pure performance!
Solid, strongly curved swinging blades for enormous cutting performance even under extreme conditions



Tool carrier!
Can be combined with various attachments for mechanical weed control

Heavy Duty!
Solid two-layer mowing deck made of high tensile steels, special tempered hexagonal shaft as well as really strong chrome-plated guide tubes



Page 40



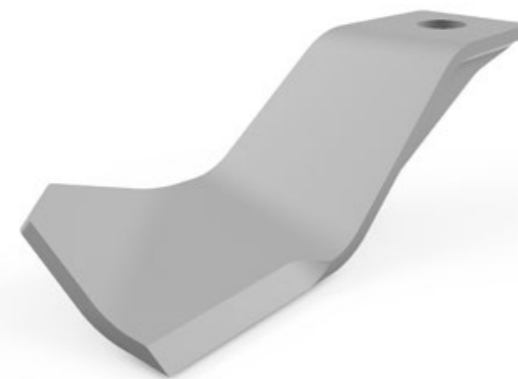
Page 41



Page 44



Uncompromising!
Enormous cutting performance even under the most extreme conditions.



Always ready for action!
High positioned blade supports and strongly curved swinging blades reliably protect the entire drive train.



The compact models!
Equally heavy duty but thanks to three blades much shorter and more manoeuvrable.



Pure efficiency!
Clean mulching and gentle, mechanical weed control in just one step. More and more companies are relying on combined systems.

Unbeatable combinations!

Short setup times, compact attachment and combined solutions



LMG heavy duty with inter-row line mower FR-Evo!

Clean and gentle mechanical weed control at high driving speeds. Easy manoeuvring in tight spaces thanks to the hydraulically foldable mounting supports. The line mowers are automatically closed and locked for transportation.



LMG heavy duty with inter-row-cleaner STP!

Driven in the rear, the interrow-cleaner is also mounted at the front of the mower. This not only reliably removes all the shoots, but also brushes the weeds under the mower blades.



LMG heavy duty with star and finger cultivator!

Requires high driving speeds, which allows the LMG to fully utilize its extreme cutting performance. The star cultivator in particular requires a „heavy duty“ mower.

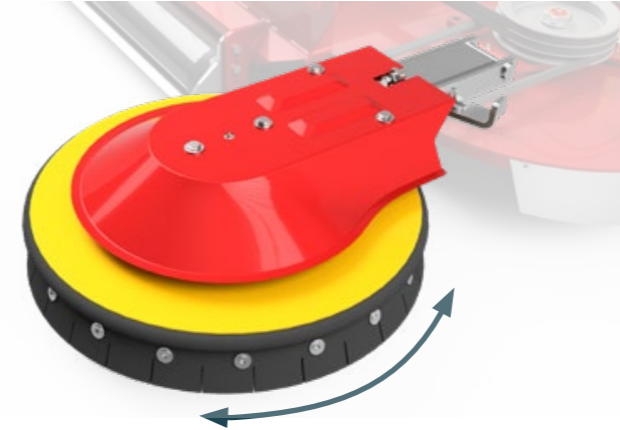


Automatic width adjustment!

Automatically regulates the maximum possible working width of the mower. A significant relief for the driver.

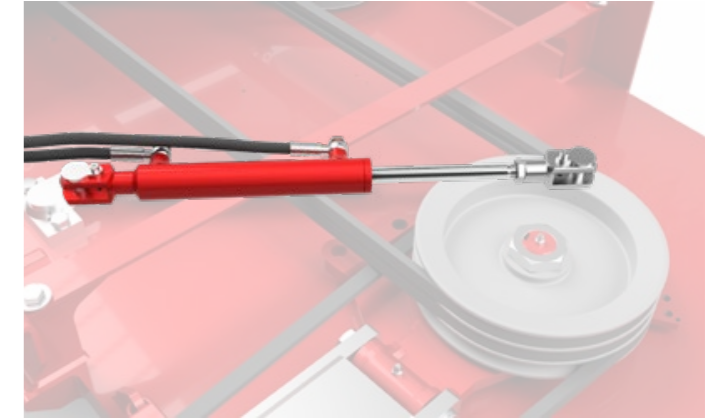
The best solution for every requirement!

Ilmer swing-arm systems



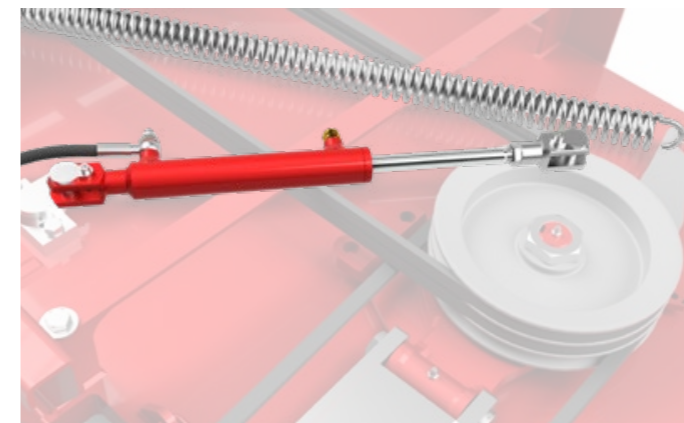
Rotatable swing-arm disc with protective coating!

When mulching out the understock-area, the swing arm discs gently roll off the tree trunk. The soft protective coating additionally prevents injuries to the bark.



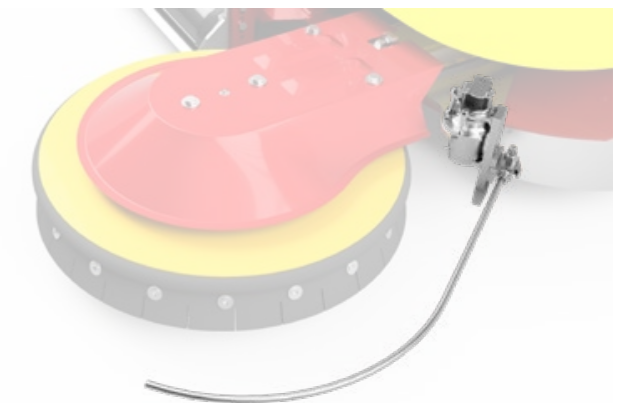
Hydraulic setting of the working width!

Optimum mulching results at higher driving speeds - the infinitely variable setting of the mulching width or positioning of the swing-arms offers many advantages. With double-acting cylinders, the working width can be adjusted and set appropriately on steep slopes.



Adjustable and reliable - the spring balancer!

The swing-arms are extended by means of a spring balancer, whereby the preload of the spring can be individually adjusted. Reliable collision protection or in combination with the infinitely variable spring tension for mulching out the understock-area.



Sensitive electrohydraulic fine touch automatics!

Flexible adjustment to the desired working speed thanks to electric rotary control. Particularly sensitive and automatic sensor control, ideal for young plants or steep slopes. Also optionally available with autonomous oil supply.

Unites many talents!

The IMG series

Model	Cutting width	Side shift (in cm)		Number of blades	Weight	Power requirement	Dimensions (closed swing arms)	
		Centre of tractor					Width	Depth
IMG 160/48	125 - 160 cm	63 62		2 + 1	355 kg	22 hp	130 cm	160 cm
		-7 132 (+36)						
IMG 175/58	125 - 175 cm	63 62		2 + 1	360 kg	24 hp	130 cm	170 cm
		-7 132 (+49)						
IMG 185/48	150 - 185 cm	76 74		2 + 1	385 kg	27 hp	155 cm	170 cm
		2 148 (+36)						
IMG 200/58	150 - 200 cm	76 74		2 + 1	390 kg	29 hp	155 cm	175 cm
		2 148 (+49)						



Wide offset!
Allows centralized tractor passage throughout the orchard. The grass discharge can be selected to be either to the center or underneath the trees.

Reliable technology!
Robust angular gears, indirect drive of the blades via V-belt and protective labyrinth seal of the blade bearings

Ideal ground hugging
thanks to three-point suspension with integrated float position (Cat. I)

Intelligent, solid construction!
Compact, weight-optimized and extremely manoeuvrable thanks to the high tensile steels and quality components



That's fun!
Easy and quick maintenance thanks to directly accessible belt tensioners and lubrication points

All inclusive!
Front-rear mounting and hydraulic side shifting



Extreme blade overlap!
The extreme blade overlap guarantees optimum mulching results even under the most difficult conditions.



Snakes its way through!
No matter if spring loaded or with fine touch automation, the swing-arm snakes around any obstacle. Thanks to integrated weight relief the swing-arm disc glides gently over the ground.

Magnificent! - across the full spectrum

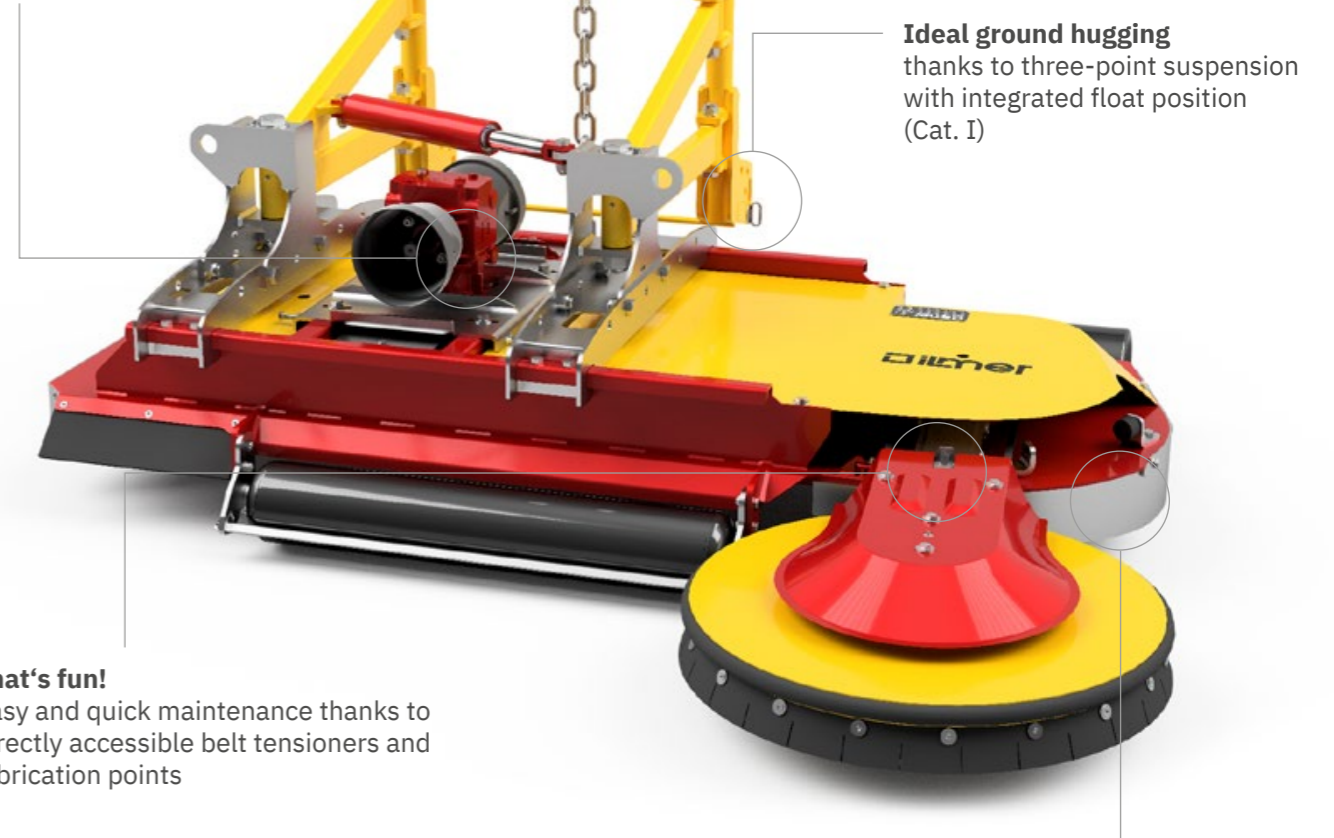
The EMG series

Model	Cutting width	Side shift (in cm)		Number of blades	Weight	Power requirement	Dimensions (closed swing arms)	
		Centre of tractor					Width	Depth
EMG 215/48	180 - 215 cm	95	85	3 + 1	535 kg	30 hp	185 cm	160 cm
		17	161 (+37)					
EMG 225/58	180 - 225 cm	95	85	3 + 1	540 kg	32 hp	185 cm	170 cm
		17	161 (+47)					
EMG 235/72	185 - 235 cm	95	90	3 + 1	545 kg	34 hp	190 cm	180 cm
		17	166 (+52)					
EMG 245/48	205 - 245 cm	103	102	3 + 1	565 kg	35 hp	210 cm	165 cm
		28	180 (+37)					
EMG 255/58	205 - 255 cm	103	102	3 + 1	570 kg	37 hp	210 cm	175 cm
		28	180 (+47)					
EMG 265/72	210 - 265 cm	103	107	3 + 1	575 kg	39 hp	215 cm	185 cm
		28	185 (+52)					
EMG 275/48	235 - 275 cm	105	130	3 + 1	615 kg	40 hp	240 cm	160 cm
		31	207 (+37)					
EMG 285/58	235 - 285 cm	105	130	3 + 1	620 kg	42 hp	240 cm	170 cm
		31	207 (+47)					
EMG 295/72	240 - 295 cm	105	135	3 + 1	625 kg	44 hp	245 cm	180 cm
		31	212 (+52)					
EMG 315/48	280 - 320 cm	127	153	3 + 1	755 kg	45 hp	285 cm	185 cm
		52	231 (+37)					
EMG 330/58	280 - 330 cm	127	153	3 + 1	760 kg	47 hp	285 cm	195 cm
		52	231 (+47)					
EMG 345/72	285 - 340 cm	129	156	3 + 1	765 kg	49 hp	290 cm	205 cm
		52	236 (+52)					

Reliable technology!

Robust angular gears, indirect drive of the blades via V-belt and protective labyrinth seal of the blade bearings

Individually configurable!
Front or rear mount, discharge behind the rotary mower or towards the understock-area



Ideal ground hugging!
thanks to three-point suspension with integrated float position (Cat. I)

That's fun!

Easy and quick maintenance thanks to directly accessible belt tensioners and lubrication points

Extreme blade overlap!
Guarantees optimum mulching results even under the most difficult conditions



Absolutely gentle!

Rotatable swing-arm disc, flat as well as closed construction for clean mulching. Thanks to integrated weight relief the swing-arm disc glides gently over the ground.



Wide offset!

Allows centralized tractor passage throughout the orchard. The grass discharge can be selected to be either to the center or underneath the trees.



Various application possibilities

Whether fruit, municipal or photovoltaic systems, the EMG covers a wide range of applications thanks to its variability and bandwidth.



Adaptable technology!

Mechanical spring balancer or sensitive electrohydraulic fine touch automatics - the right technology for every requirement.

For the highest demands in the tightest spaces!

The SMG series

Model	Cutting width	Swing arm disc	Side shift (optional)	Number of blades	Weight	Power requirement	Dimensions (closed swing arms)	
							Width	Depth
SMG 180/40	120 - 180 cm	Ø 45 cm	---	3 + 2	480 kg	28 hp	125 cm	145 cm
SMG 200/48	120 - 200 cm	Ø 53 cm	---	3 + 2	495 kg	30 hp	125 cm	155 cm
SMG 220/58	130 - 220 cm	Ø 63 cm	---	3 + 2	510 kg	32 hp	135 cm	165 cm
SMG 200/40	140 - 200 cm	Ø 45 cm	15 +15 cm	3 + 2	495 kg	30 hp	145 cm	145 cm
SMG 220/48	140 - 220 cm	Ø 53 cm	15 +15 cm	3 + 2	510 kg	32 hp	145 cm	155 cm
SMG 240/58	140 - 240 cm	Ø 63 cm	15 +15 cm	3 + 2	520 kg	34 hp	145 cm	165 cm



Clear view!

Especially front-mounted in combination with the grass splash guard you have a perfect view of the working area.

This means that the SMG rotary mower can be directed effortlessly through the orchard.

Ideal ground hugging thanks to three-point suspension with integrated float position

Universal three-point frame!
Front-rear mounting (cat. I+II) or with trailer hitch for sprayers - everything is possible

Reliable technology! Robust angular gears, indirect drive of the blades via V-belt and protective labyrinth seal of the blade bearings



Extreme blade overlap!
Guarantees optimum mulching results even under the most difficult conditions

Rotatable swing arm discs!
Already fitted as standard in order to be able to mulch out the understock-area optimally and gently

That's fun!
Easy and quick maintenance thanks to directly accessible belt tensioners and lubrication points



Compact, weight-optimized and manoeuvrable!

The SMG fully exploits its advantages in the tightest of spaces and on steep slopes. The intelligent design in combination with high-strength steels makes it possible.



Absolutely gentle!

Rotatable swing-arm disc, flat as well as closed construction for clean mulching. Thanks to integrated weight relief the swivel-arm disc glides gently over the ground.

For the highest demands in the tightest spaces!

The SMG series

Model	Cutting width	Swing arm disc	Side shift (optional)	Number of blades	Weight	Power requirement	Dimensions (closed swing arms)	
							Width	Depth
SMG 250/58	160 - 260 cm	Ø 63 cm	15 +15 cm	3 + 2	545 kg	34 hp	165 cm	175 cm
SMG 290/72	165 - 290 cm	Ø 77 cm	15 +15 cm	3 + 2	565 kg	41 hp	170 cm	185 cm
SMG 300/72	185 - 305 cm	Ø 77 cm	15 +15 cm	3 + 2	585 kg	48 hp	190 cm	190 cm
SMG 335/72	215 - 335 cm	Ø 77 cm	15 +15 cm	3 + 2	620 kg	54 hp	220 cm	200 cm
SMG 355/72	230 - 355 cm	Ø 77 cm	15 +15 cm	3 + 2	650 kg	59 hp	235 cm	210 cm
SMG 375/72	250 - 375 cm	Ø 77 cm	15 +15 cm	4 + 2	705 kg	65 hp	255 cm	185 cm
SMG 410/72	285 - 410 cm	Ø 77 cm	15 +15 cm	4 + 2	775 kg	70 hp	290 cm	210 cm
SMG 450/72	325 - 450 cm	Ø 77 cm	15 +15 cm	4 + 2	840 kg	75 hp	330 cm	220 cm



The agony of choice!

Rigid or rotatable swing-arm discs in several sizes can be combined with different swing-arm systems.



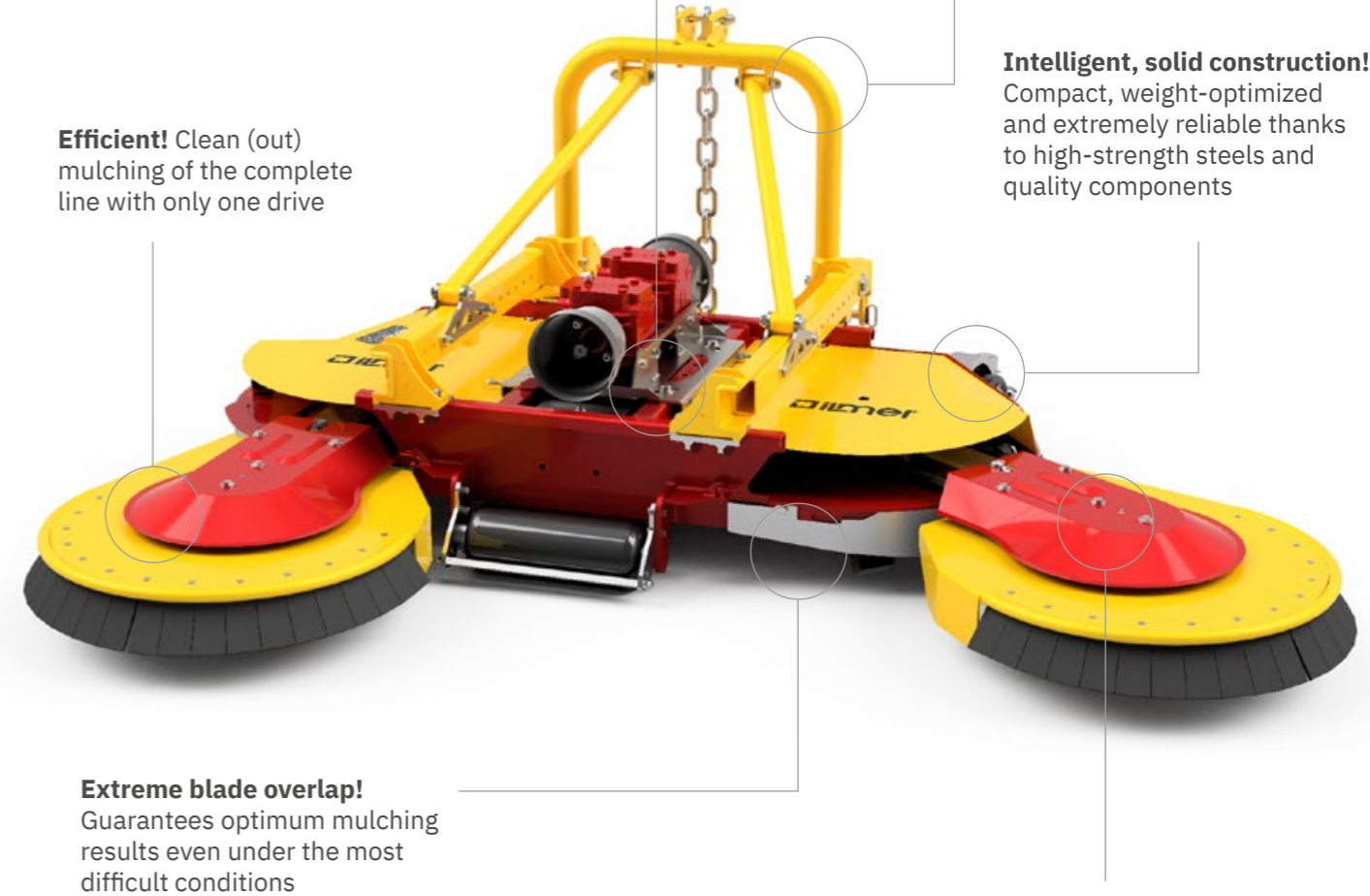
The SMG can be optimally configured for the respective requirements.

Reliable technology!
Robust angular gears, indirect drive of the blades via V-belt and protective labyrinth seal of the blade bearings

Universal three-point frame!
Front-rear mounting (cat. I+II) or with trailer hitch for sprayers - everything is possible

Efficient! Clean (out) mulching of the complete line with only one drive

Intelligent, solid construction!
Compact, weight-optimized and extremely reliable thanks to high-strength steels and quality components



Extreme blade overlap!
Guarantees optimum mulching results even under the most difficult conditions

That's fun!
Easy and quick maintenance thanks to directly accessible belt tensioners and lubrication points



Extremely variable working width!

The infinitely hydraulically adjustable swing-arms make the SMG extremely versatile. The adjustable collision protection by means of an overpressure valve closes the swing arms in case of obstacles.



Simply sleek!

High drive power combined with extreme blade overcut result in maximum cutting performance!

Flexible, compact, efficient!

The KMG series

Model	Cutting width	Swing arm disc	Number of blades	Weight	Power requirement	Dimensions (closed swing arms)	
						Width	Depth
KMG 150/40	87 - 150 cm	Ø 45 cm	1 + 2	340 kg	18 hp	90 cm	180 cm
KMG 160/48	102 - 158 cm	Ø 53 cm	1 + 2	355 kg	18 hp	105 cm	180 cm



A workaholic!

Specially developed for the care of table-top cultures and perfected over the years.

The swing arms are controlled by a spring balancer or optionally by an automatic fine-touch control.

Intelligent, solid construction!
Compact, weight-optimized and extremely manoeuvrable thanks to the high tensile steels and quality components

Clean mulching result!
Rotatable swingarm disc with protective coating for clean mulching around tree-trunks or poles

Efficient! Clean mulching of the complete line with only one drive

Extreme blade overlap!
Guarantees optimum mulching results even under the most difficult conditions



Reliable technology - Easy maintenance!

Robust angular gear, bearings sealed by a protective labyrinth and directly accessible lubrication points.



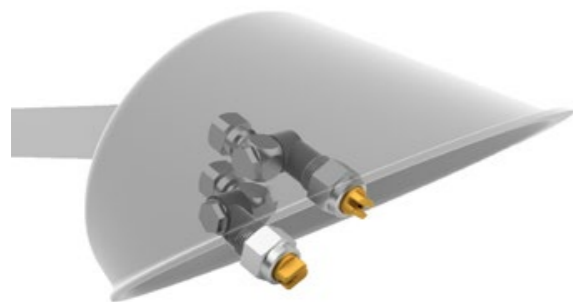
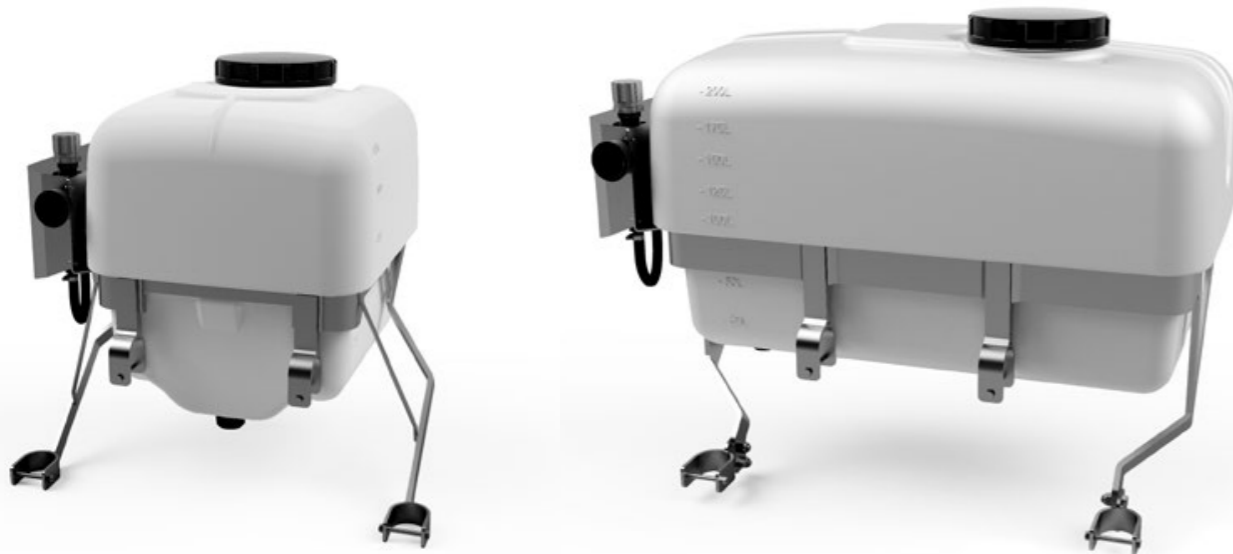
Get the most out of it!

Small tractors from 18 hp can already power the KMG. The movable rear wheel allows easy manoeuvring without lifting the rotary mower.

As little as possible! As much as necessary!

Herbicide application systems

Model	Working width	Capacity	Power supply	Weight
Herby - 120	30 cm	1x 120 l	12 Volt	25 kg
Herby - 150	30 cm	2x 75 l	12 Volt	29 kg
Herby - 200	30 cm	1x 200 l	12 Volt	33 kg



Two separately controllable jet nozzles!

A second jet nozzle can be switched on at the push of a button. This extends the spray width to around 50 cm.



Able to be optimally aligned!

The adjustable herbicide arm including long throw nozzles can be optimally positioned. The wiping spring presses the grass downwards, which increases the effectiveness of the active ingredient.

Reliable!

The suction filter protects the pump unit from the smallest contamination. To clean the tank, a shut-off valve closes the supply

Big tank opening!

Convenient filling thanks to large tank opening with removable filling sieve

According to regulations!

The required operating pressure can be set using a pressure regulator and standardized pressure gauge (0.2 bar scale)

Clean emptying!

Each tank is fitted with a drain cock, on which a hose can be attached for clean emptying

Comfortable!

Electric 12 Volt control unit with strong magnetic clamp for practical attachment to the tractor. The individual nozzles and the pump can be controlled via a toggle switch

120, 2 x 75 and 200 litres

Depending on the rotary mower, one or two tanks can be installed or combined with one-sided or two-sided herbicide bars



Because every drop counts!

All long throw nozzles are equipped with a drip stop. The special diaphragm prevents uncontrolled active ingredients leaking out.



Automatic spot spraying!

Targeted application of the herbicide directly on the tree trunk by means of automatic spot spraying. This further reduces the amount of active ingredient per hectare.

**Extremely versatile!
The Ilmer tool carrier frames**



Many tools – One carrier!

The GT-Vario for rear mounting

Model Attachments	External width (in cm)		For row spacing	Working width	Weight	Depth
	Centre of tractor					
GT-Vario rear compact	<i>double-sided</i>	<i>single-sided</i>				
with line mower FR-EVO10 with FR-EVO10 for banks	60 : 60 +25 130 : 130 +40		1,50 - 2,60 m	20 cm 40 cm (per side)	160 kg 270 kg	115 cm
with line mower FR-EVO16 with FR-EVO16 for banks	60 : 60 +25 145 : 145 +50		1,50 - 2,90 m	35 cm 60 cm (per side)	170 kg 290 kg	145 cm
with sweeper RB-80	85 : 85 120 : 120		1,80 - 2,50 m	80 cm (per side)	140 kg 230 kg	90 cm
with star/finger weeder 2 stars + FH560 5 stars + FH850	+25 60 : 60 +25 +25 90 : 90 +25		1,80 - 2,50 m	35 cm 60 cm (per side)	227 kg 400 kg	140 cm
GT-Vario rear	<i>double-sided</i>	<i>single-sided</i>				
with line mower FR-EVO10 with FR-EVO10 for banks	75 : 75 +25 175 : 175 +40		1,80 - 3,50 m	20 cm 40 cm (per side)	175 kg 310 kg	150 cm
with line mower FR-EVO16 with FR-EVO16 for banks	75 : 75 +25 190 : 190 +50		1,80 - 3,80 m	35 cm 60 cm (per side)	175 kg	150 cm
with sweeper RB-80	100 : 100 170 : 170		2,20 - 3,50 m	80 cm (per side)	145 kg 250 kg	95 cm
with star/finger weeder 2 stars + FH560 5 stars + FH850	+25 75 : 75 +25 +25 135 : 135 +25		2,10 - 3,40 m	35 cm 60 cm (per side)	235 kg 425 kg	145 cm



Extremely compact!

For maximum manoeuvrability and optimum inter-row care, from a row width of 1,50 m.

Adjustable inclination!

Easily adjustable inclination and working angle of the attachments thanks to the hydraulic top link

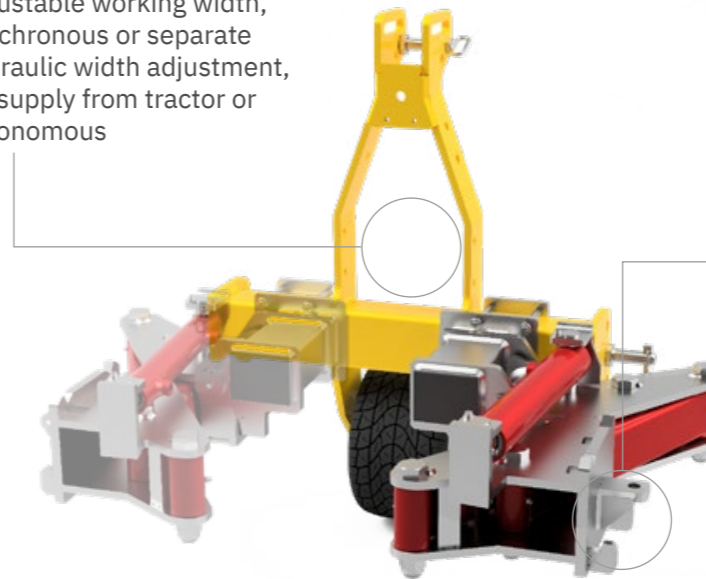


Extremely compact!

Maximum width adjustment despite ultra-compact dimensions

Individually configurable!

Adjustable working width, synchronous or separate hydraulic width adjustment, oil-supply from tractor or autonomous



Quick hitch system!

Fast changing between attachments thanks to the quick hitch system



Page 41



Page 43



Page 44



Single suspension!

Freely movable carrier arms for perfect adjustment of the attachments to the ground contours, even in the most difficult conditions.

Maximum configurability!

The GT-Vario for front mounting

Model Attachments	External width (in cm) Centre of tractor	For row spacing	Working width	Weight	Depth
GT-Vario front narrow single-sided					
with line mower FR-EVO10 with FR-EVO10 for banks	40 +20 160 +25	from 1,00 m	20 cm 40 cm	190 kg	145 cm
with line mower FR-EVO16 with FR-EVO16 for banks	40 +20 175 +40	from 1,00 m	35 cm 60 cm	200 kg	145 cm
with sweeper RB-80	60 150	from 1,20 m	80 cm	155 kg	150 cm
with star/finger weeder 2 stars + FH560 5 stars + FH850	35 +25 120 +25	from 1,30 m	35 cm 60 cm	247 kg	160 cm
GT-Vario front double-sided single-sided					
with line mower FR-EVO10 with FR-EVO10 for banks	75 : 75 +25 200 : 200 +40	1,80 - 4,00 m	20 cm (per side) 40 cm	190 kg 345 kg	145 cm
with line mower FR-EVO16 with FR-EVO16 for banks	75 : 75 +25 215 : 215 +50	1,80 - 4,30 m	35 cm (per side) 60 cm	200 kg 365 kg	145 cm
with sweeper RB-80	100 : 100 190 : 190	2,00 - 3,80 m	80 cm (per side)	155 kg 275 kg	150 cm
with power harrow KR260	80 : 80 190 : 190	1,90 - 3,80 m	60 cm (per side)	230 kg 415 kg	145 cm
with star/finger weeder 2 stars + FH560 5 stars + FH850	+25 75 : 75 +25 +25 160 : 160 +25	2,10 - 3,80 m	35 cm (per side) 60 cm	247 kg 451 kg	160 cm



Perfect ground hugging!

Freely movable carrier arms for perfect adjustment of the attachments to the ground contours, even in the most difficult conditions.

Best running characteristics!

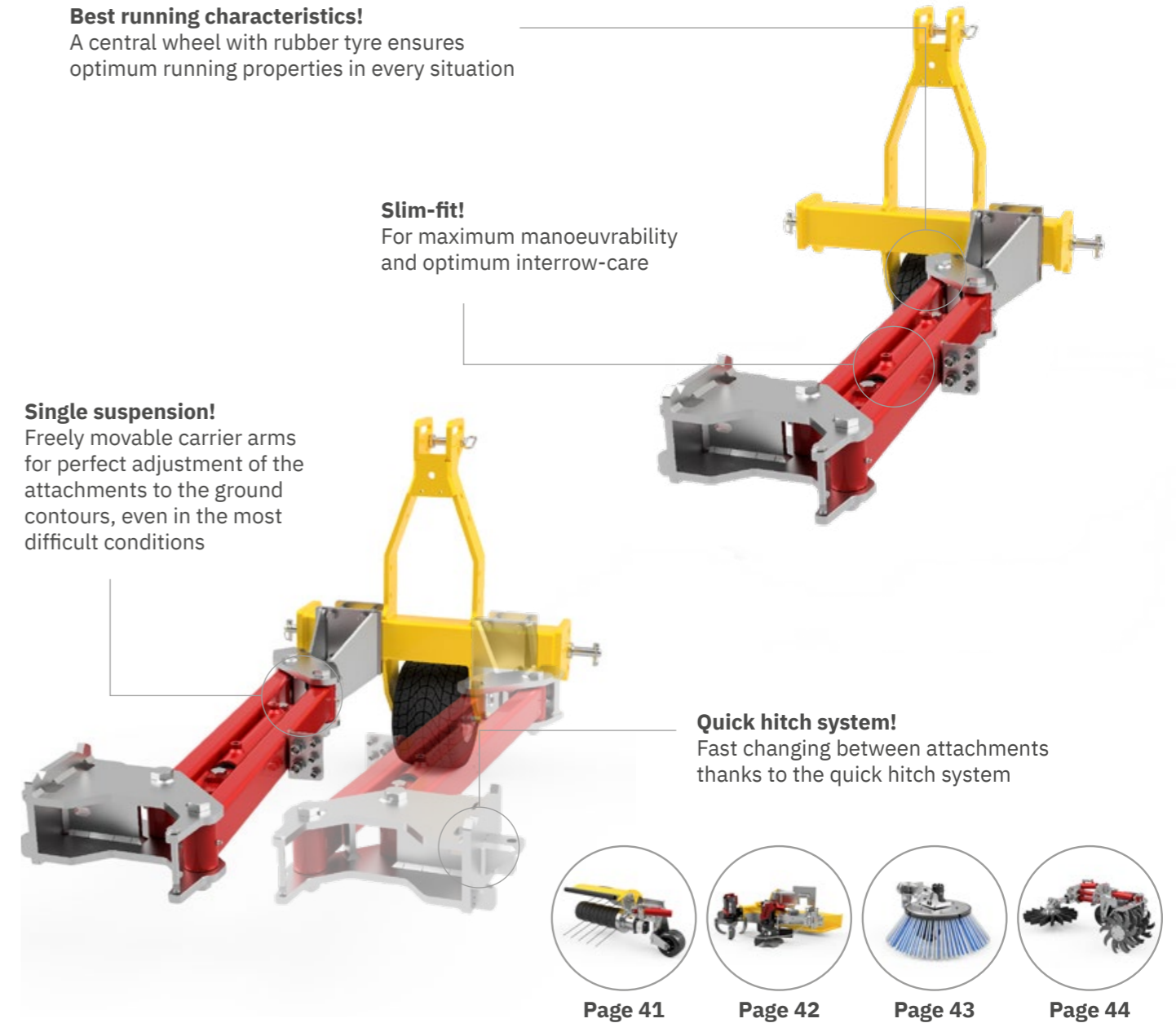
A central wheel with rubber tyre ensures optimum running properties in every situation

Slim-fit!

For maximum manoeuvrability and optimum interrow-care

Single suspension!

Freely movable carrier arms for perfect adjustment of the attachments to the ground contours, even in the most difficult conditions



Quick hitch system!

Fast changing between attachments thanks to the quick hitch system



Hydraulic lifting!

Thanks to the hydraulic lifting arms it's possible to work single-sided without problems.

Individually configurable!

Mounted on three-point hitch or bolted directly to the front plate of the tractor. Depending on the power demand, the oil-supply can be provided from the tractor or autonomously.

Extremely compact!

The mid mount carrier arm GT-Z

Model Attachments	External width (in cm) Centre of tractor	For row spacing	Working width	Weight
Mid mount carrier arm GT-Z				
with inter-row line mower FR-EVO 10	105	from 2,70 m	20 cm	132 kg
	185			
with inter-row line mower FR-EVO 16	105	from 2,70 m	35 cm	142 kg
	200			
with sweeper RB-80	110	from 2,70 m	80 cm	99 kg
	180			
with star/finger weeder 2 stars + FH560 5 stars + FH850	105 +25	from 2,50 m	35 cm 60 cm	183 kg
	150 +25			

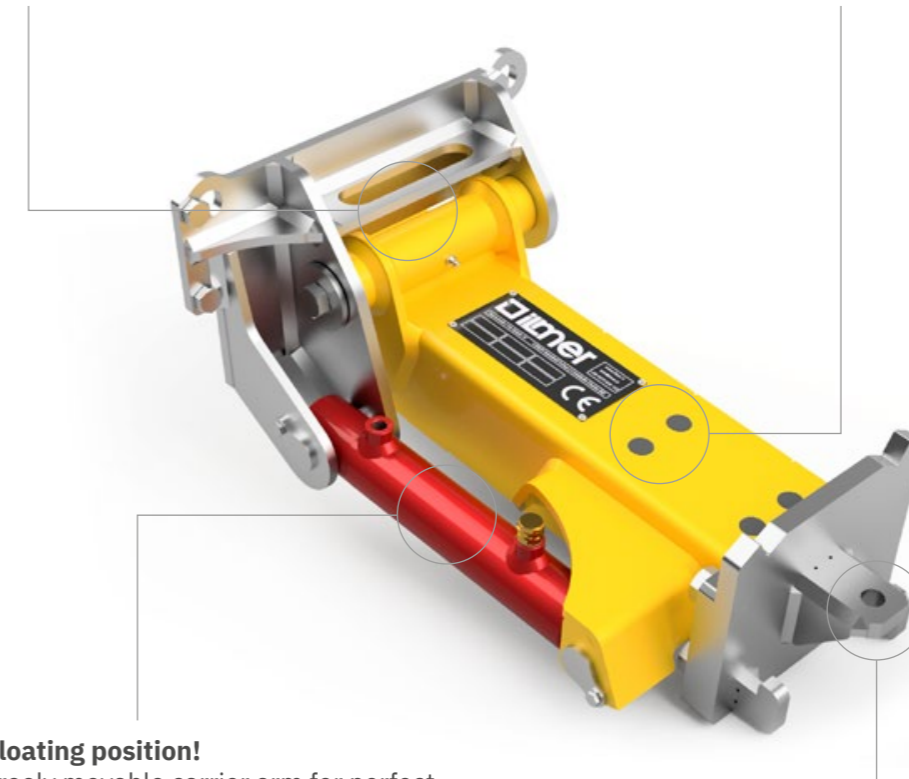


Hydraulic width adjustment!

The mid mount carrier arm can be extended up to 45 cm by means of a hydraulic width adjustment and can also be limited mechanically.

Slim-fit!

For maximum manoeuvrability and optimum interrow-care



Floating position!

Freely movable carrier arm for perfect adjustment of the attachments to the ground contours

Quick hitch system!

Fast changing between attachments thanks to the quick hitch system



Page 41



Page 43



Page 44



Ultra compact!

With its ultra-compact dimensions, the mid mount carrier arm disappears completely behind the tractor's tyres when folded up.



Many tools - One carrier!

Line mower and sweeper are currently available for attachment. Further attachments are in development.

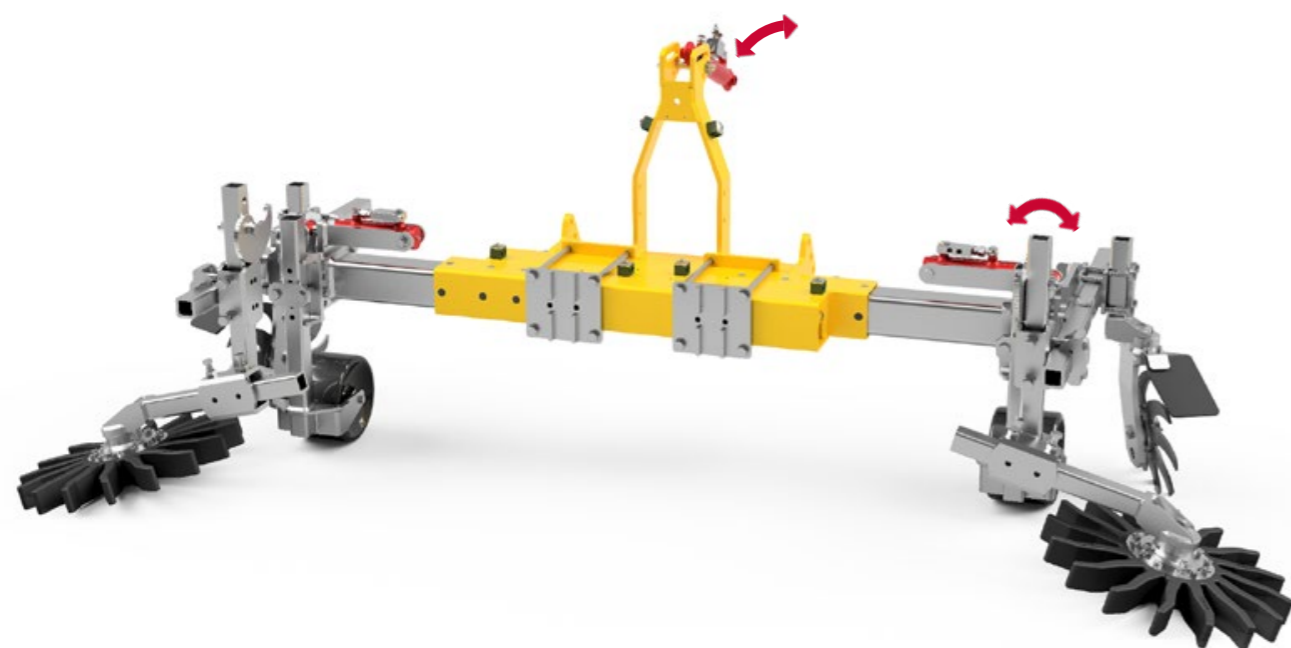
Maintenance-free!

Hydraulic width adjustment mounted on Teflon, cylinder integrated into the frame - all completely maintenancefree

Reduced to the essentials!

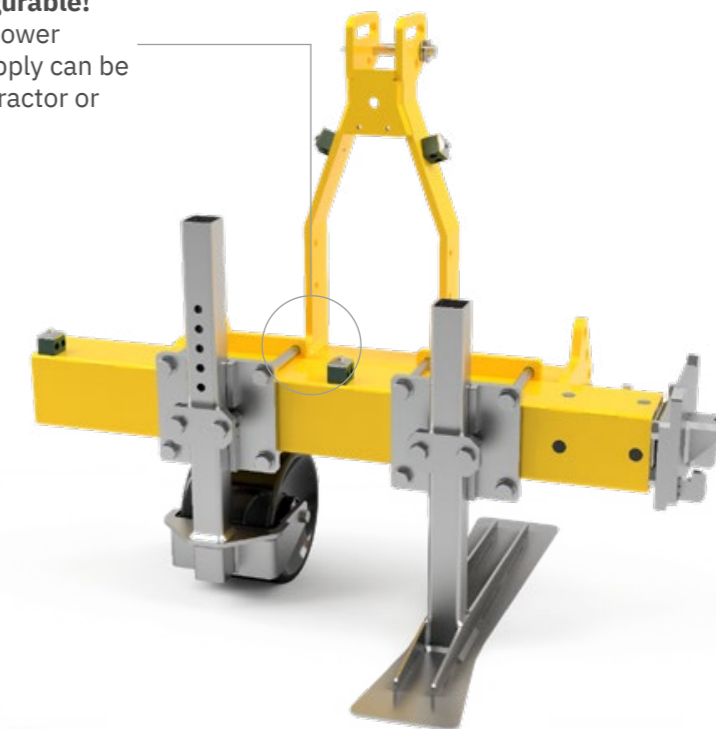
The GT-Eco

Model Attachments	External width (in cm) Centre of tractor	For row spacing	Working width	Weight	Depth
GT-ECO <i>single-sided</i>					
with inter-row line mower FR-EVO 10	70 200	from 2,20 m	20 cm	215 kg	100 cm
with inter-row line mower FR-EVO 16	70 215	from 2,20 m	35 cm	230 kg	130 cm
with sweeper RB-80	100 190	from 2,30 m	80 cm	180 kg	60 cm
with star/finger weeder 2 stars + FH560 5 stars + FH850	85 +25 145 +25	from 2,30 m	35 cm 60 cm	253 kg	125 cm
GT-ECO <i>double-sided</i>					
with inter-row line mower FR-EVO 10	90 90 200 200	2,50 - 3,80 m	20 cm (per side)	270 kg	110 cm
with inter-row line mower FR-EVO 16	90 90 215 215	2,50 - 4,10 m	35 cm (per side)	285 kg	140 cm
with sweeper RB-80	120 120 190 190	2,60 - 4,00 m	80 cm (per side)	235 kg	70 cm
with star/finger weeder 2 stars + FH560 5 stars + FH850	+25 90 90 +25 +25 150 150 +25	2,60 - 3,70 m	35 cm 60 cm (per side)	475 kg	135 cm

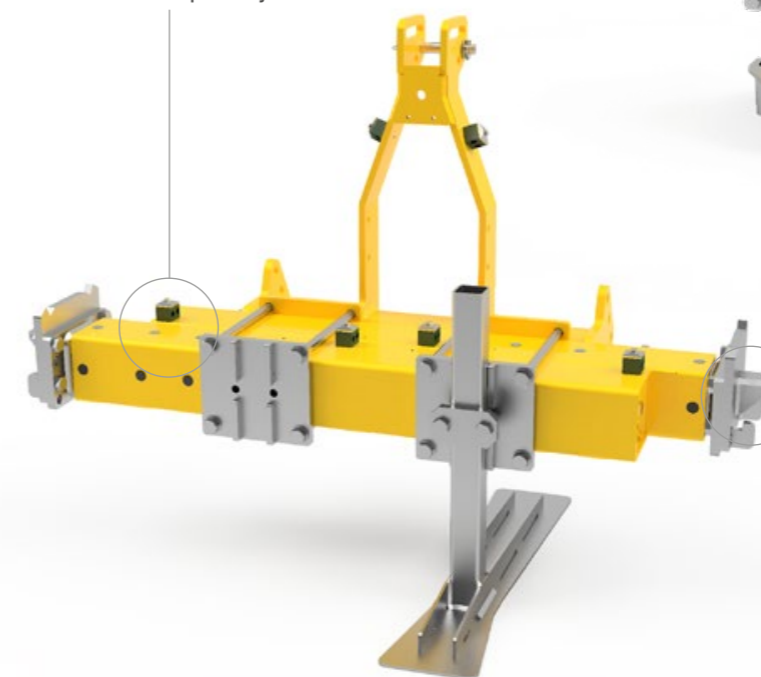


Hydraulic top link and hydraulic tilt joint allow for perfect adjustment of the working angle of the attachments.

Individually configurable!
Depending on the power demand, the oil-supply can be provided from the tractor or autonomous



Maintenance-free!
Hydraulic width adjustment mounted on Teflon, cylinder integrated into the frame - all completely maintenance-free



Many tools – One carrier!
Fast changing between attachments thanks to the quick hitch system



Page 41

Page 43

Page 44



Lateral adjustment!
60 cm hydraulically and up to 30 cm manually adjustable carrier arm.



Front or rear mounting!
For front mounting, appropriate spacer profiles are screwed on depending on the implement.

Gentle and efficient!
The Ilmer mechanical weed control

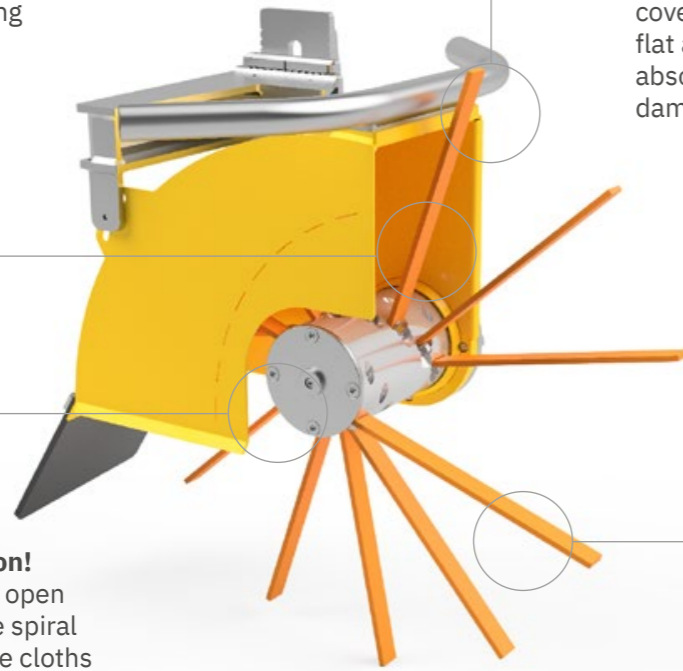


Merciless to stem shoots! Gentle to the vine!

The vine-stem cleaner STP

PATENTED!

That's fun!
Directly accessible greasing points, maintenance-free drive. Uncomplicated and quick replacement of each individual cloth



Can also be used on young vines!
The wide, soft rubber cloths are pretensioned by the protective cover and thus hit the vine in a flat angle. The energy is optimally absorbed and prevents relevant damage to the vine

Winding protection!
The shaft which is open to the rear and the spiral arrangement of the cloths prevent weeds from winding up even under extreme conditions

It's the mix that does it!
Thanks to the special composition of the cloths, they reliably and cleanly remove all shoots, but at the same time are gentle to the vine

Model	Working width	Number of cloths	Oil demand	Weight
STP	15 cm	12	18 - 25 l/min	36 kg



Clever combination!
Mounted at the front of the mower, it not only removes all the shoots, but it also brushes the weeds under the mower blades. All this at low rpm, therefore being gentle on the

vinestem. This allows mulching and inter-row cleaning all in one pass.

The next generation!

The inter-row line mower FR-Evo

PATENTED!

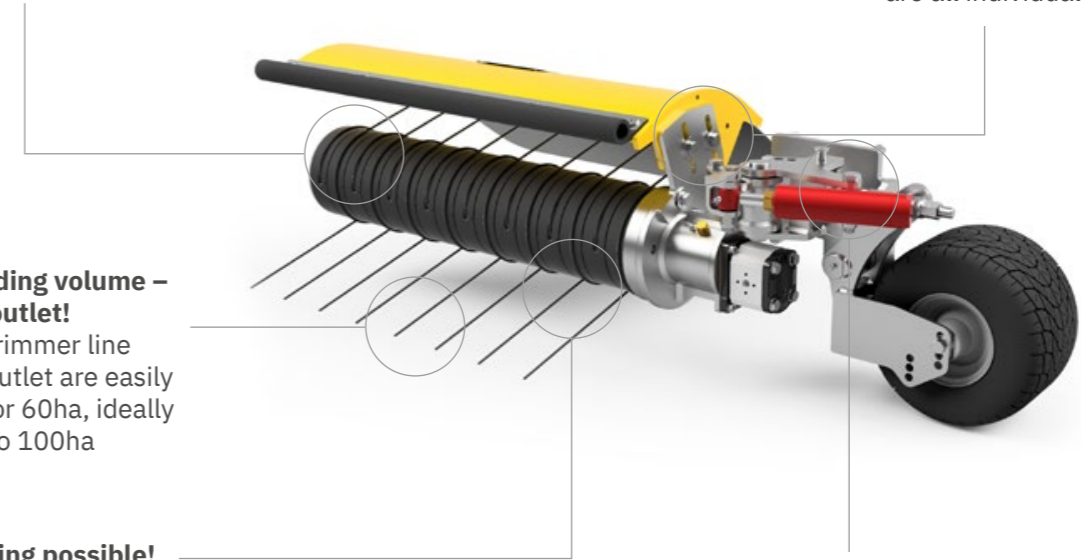
Patented single line spool cassettes!
Each line can be readjusted or refilled individually – quick and easy!

Up to any situation!
Working width, rotor speed and angle as well as the protective cover are all individually adjustable

15 m loading volume – per line outlet!
15 m of trimmer line per line outlet are easily enough for 60ha, ideally even up to 100ha

No shearing possible!
The notch and the flat exit angle of the line prevent it from shearing off at the outlet. This means that the line can always be conveniently readjusted from the outside without opening the rotor

End position damping!
Prevents oscillation and dampens the kickback of the line mower. The counter-pressure can be adjusted continuously



Model	Working width	Number of lines	Oil demand	Weight
FR-EVO-10	20 cm	10	12 - 18 l/min	65 kg
FR-EVO-16	35 cm	16	12 - 18 l/min	85 kg
FR-EVO-10 for banks	40 cm	10	12 - 18 l/min	105 kg
FR-EVO-16 for banks	70 cm	16	12 - 18 l/min	116 kg



Absolutely gentle!
Clean mowing results even at low rpm. The staggered line arrangement and the large rotor diameter make it possible.

Made for banks!
The specially developed line mower for banks is equipped with additional hydraulic joints. The vertical angle of attack is hydraulically adjustable up to 70°.

Precision meets power!

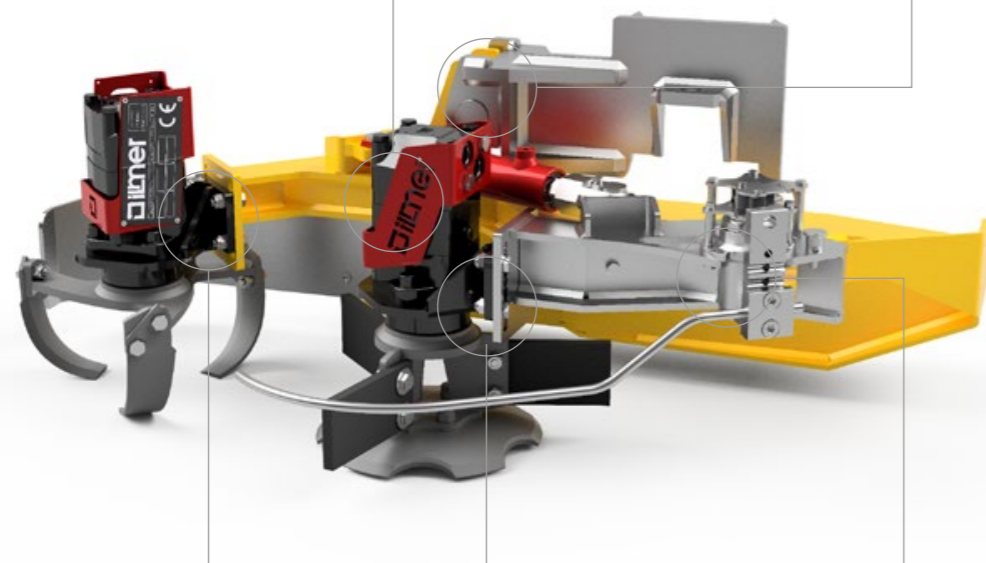
The power harrow KR260

Power pack!

Thanks to the enormous torque, the two heads easily cultivate even dry and compact soil

Ideal ground hugging!

Two oil-driven heads are pendulum mounted on a skid



Flexible!

Separately adjustable working depth of 1-10 cm per head

Simply clever!

Swing arm electrically retractable without an additional hydraulic cylinder

Model	Working width	Working depth	Oil demand	Weight	Dimensions (Transport position)	
					Width	Depth
KR260	35 - 60 cm	1 - 10 cm	Sensor: 10 l/min Heads: 35-45 l/min	114 kg	116 cm	40 cm



Very easy to control!

Intuitive cross-lever joystick with practical rotary knob for easy control of the left, right or both sides. Execute different actions at the same time with just one push of a button.



Precise inter-row cultivation!

The electro-hydraulic fine-touch automatics with its own oil circuit enables even more precise scanning and thus a clean result around the trunk.

Power sweeper!

The orchard sweeper

Maintenance-free orbital motor!

High torque at low rpm prevents the sweeper from jamming even in difficult conditions

Adjustable inclination!

The stepless two-dimensional tilt adjustment enables optimum adjustment of the working method



Hardwearing and gentle!

The mixture of plastic and steel strings ensures clean and gentle operation with minimal wear and tear

Model	Working width	Diameter of sweeper	Oil demand	Weight
RB-80	80 cm	80 cm	12 - 18 l/min	50 kg



Particularly flat design!

Especially in orchards, a flat design is essential in order to entirely clean the area underneath the trees.



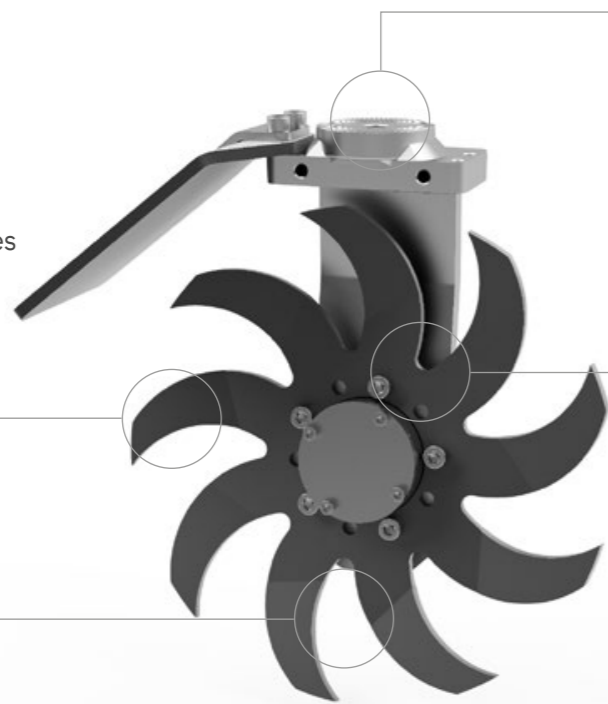
Ideal ground hugging!

Thanks to the height-adjustable support wheel the sweeper is perfectly following the ground contours.

Workaholic!

The star cultivator

Hardwearing!
Hardened, special quality steel guarantees a long service life



Adjustable working angle!
Fine-toothed adjustment of the angle of attack which determines the working width and the aggressiveness of the star cultivator

That's fun!
The solid, maintenance-free bearing ensures trouble-free use - always!

Ergonomic star shape!
Enables use in a wide variety of soils and already works at low driving speeds

Model	Working width	Disc diameter	Material thickness
RH-355-1 - 2	3 - 17 cm	355 (+385) mm	8 mm
RH-355GT-3 - 5	18 - 45 cm	355 mm	8 mm



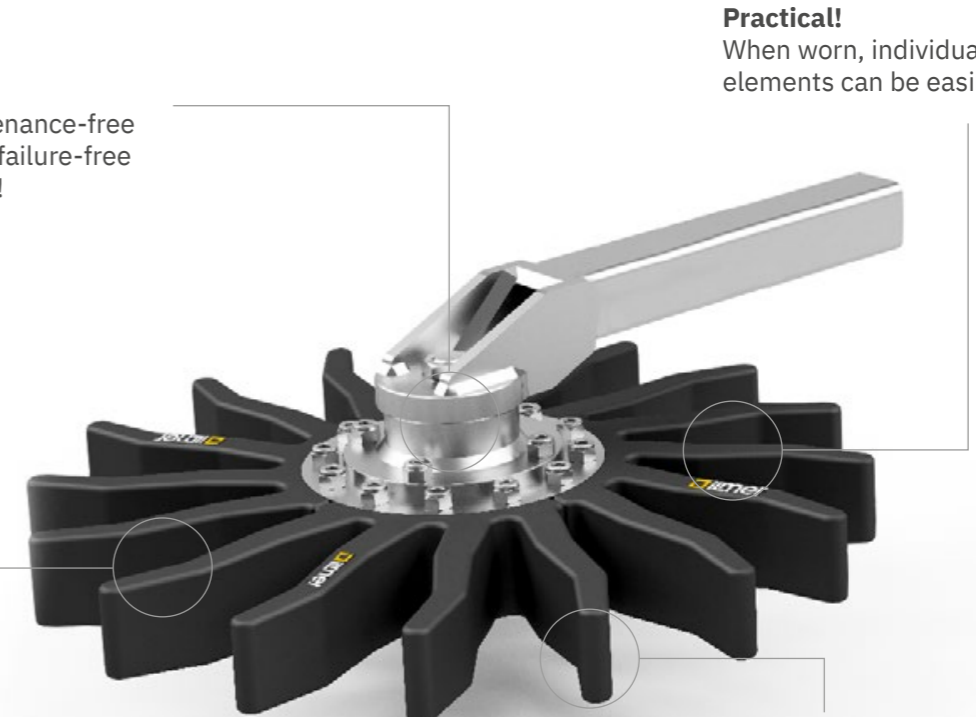
Hydraulic lifting!
Simply lift the star cultivator hydraulically for single-sided work. The special mounting support on the LMG mower makes it possible.

Flat design!
Thanks to its particularly flat design, the star/finger weeder can be used for both vineyards and orchards. The various working and tilt angles can be infinitely adjusted.

Smooth work - Great effect!

The finger hoe

That's fun!
The solid, maintenance-free bearing ensures failure-free use - at all times!



Practical!
When worn, individual finger elements can be easily changed

Absolutely gentle!
The soft fingers and rounded edges provide optimal protection of the vine

It's the mix that does it!
The flexible fingers work cleanly around the vine and their spring action ensures perfect soil harvesting.

Model	Working width	Disc diameter
FH-560	ca. 25 cm	560 mm
FH-850	ca. 40 cm	850 mm



Clean and gentle!
The flexible fingers work cleanly around the vine and their spring action ensures perfect soil harvesting.

Clever combination!
Mounted on a LMG rotary mower enables clean mulching and an efficient mechanical weed control just in one step.

Perfection given shape! The Ilmer forklifts



Top dog!

The K2-D series

Model	K2-D175	K2-D195	K2-D235	K2-D255	K2-D275
Max. lifting height	170 cm	190 cm	235 cm	250 cm	275 m
Lifting power	1.500 kg				
Side shift	19 cm (9,5 cm per side)				
Tilt	20 cm				
External distance of forks	71,5 cm				
Weight	339 kg	355 kg	386 kg	398 kg	411 kg
Min. height attached	170 cm	180 cm	200 cm	208 cm	220 cm



Wonderful view!
A clear view of the loading area enables comfortable and efficient working until late at night.

Safety first!
Fast and safe working thanks to hydraulic bin fixation for 1-3 bins at a time



Maintenance-free!
High-quality combination bearings with long service life on the running rails, as well as side shift mounted on Teflon. Thus the forklift is always ready for use!

Best view to the loading area!
Clear view enables comfortable and efficient work

Impressive ergonomics!
Optimum three-point position for maximum payload

Patented fork closer!
When the bin holder system is fully retracted, the forks close automatically

Tailor-made!
Hose lengths and three-point cylinder are adapted to the respective tractor model



Efficient and safe!
Fast unloading of up to 8 bins simultaneously - no problem thanks to hydraulic bin fixation.



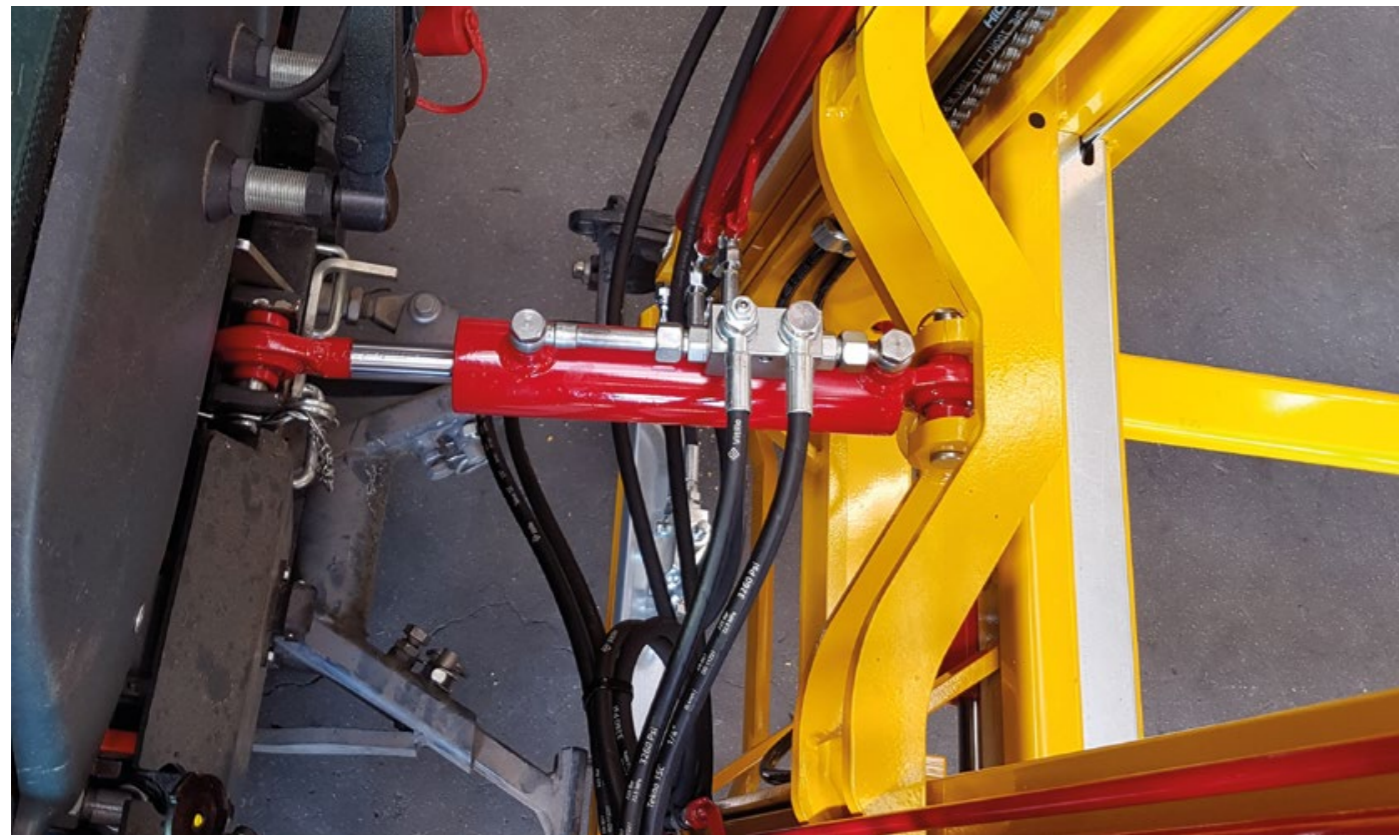
Valuable freight!
The optional shock absorber protects the valuable harvest from impacts during transport.

PATENTED!

Top dog!

The ECO series

Model	ECO-175	ECO-195	ECO-235	ECO-255	ECO-275
Max. lifting height	170 cm	190 cm	235 cm	250 cm	275 m
Lifting power	1.500 kg				
Side shift	19 cm (9,5 cm per side)				
Tilt	20 cm				
Adjustable Forks	48 - 72 cm external dimension				
Weight	314 kg	330 kg	361 kg	373 kg	386 kg
Min. height attached	170 cm	180 cm	200 cm	208 cm	220 cm



Tailor-made!
Hose lengths and three-point cylinder are adapted to the respective tractor model.

The optimized three-point position enables even closer mounting to the tractor and maximum inclination of the forklift.

Best view to the loading area!
Clear view enables comfortable and efficient work

Maintenance-free!
High-quality combination bearings with long service life on the running rails, as well as side shift mounted on Teflon. Thus the forklift is always ready for use!

Adjustable!
Manual fork adjustment for different pallet dimensions

With side shift!
Hydraulic side shift mounted on Teflon as standard!



Wonderful view!
A clear view of the loading area enables comfortable and efficient working.



Practical!
The parking trolley is a faithful helper for independent moving and parking of the forklift.

Full turn!

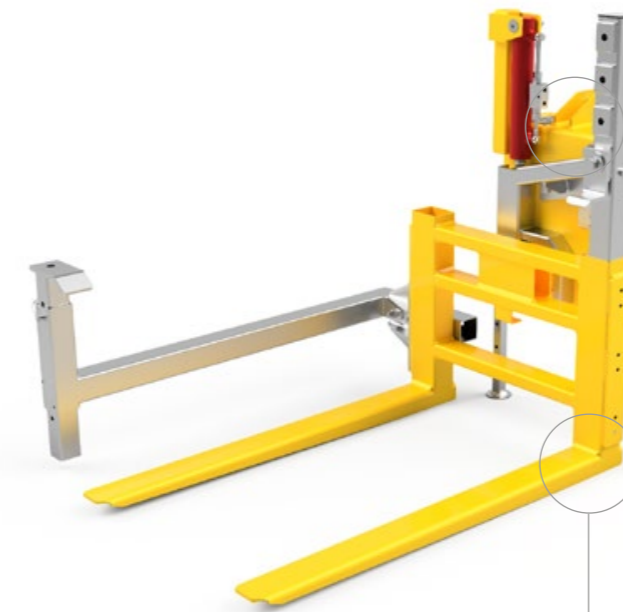
The bin tipper

Modell	KW-ECO	KW 70	KW 85	KW 100
Opening bin holder	with mechanical bin holder system	45 - 69 cm	62 - 86 cm	79 - 103 cm
Lifting power	600 kg			
Weight	130 kg	145 kg		
External distance of forks	71,5 cm			



Absolutely safe!

Only when the crate is securely clamped does the rotation begin automatically. Only one double-acting connection is required.



Ready for action quickly!
Quick and easy attachment and removal to the K2-D and ECO forklift truck (10 min)

Reliable technology!
Outstanding reliability for many years thanks to quality components



Intelligent design!
Weight-optimized but extremely stable design thanks to high-strength steels for maximum payload

Practical!
If the fixing arm is not needed, it can simply be unscrewed



Full rotation!

Complete emptying thanks to 180° rotation of the bin.



Attachment to industrial forklift trucks

Thanks to the three-point adapter, the bin tipper can be quickly and easily attached to any forklift truck.

**The allrounder!
The Ilmer three-point loader**



The allrounder!

The three-point loader

A master of reliability!
Strong, robust construction thanks to high-strength steels and specially hardened bolts for the largest payload

Can do both! Attachment to front or rear three-point hitch

Strong bucket intake!
Maximum loading volume and safe transport even on steep terrain.

That's fun!
Easy and quick maintenance thanks to directly accessible greasing points

Clearly arranged!
Clear view of the loading area enables fast and efficient work

Model	HS
Max. Lifting height	230 - 250 cm
Max. Transport load (three point loader closed)	2.500 kg
Lifting capacity (with full three point loader opening)	400 kg
Weight	196 kg



Intelligent lifting technology!
Self-levelling of the tool during lifting and lowering thanks to synchronized parallel guidance.



Quick-hitch system!
Useful option for quick and safe changing of the various tools.



Earth bucket with teeth
Robust earth bucket available in different widths. Can be combined with a scarper blade.



Light goods bucket
Around 40% more capacity and equipped with a wear-resistant scraper blade. Ideal for loading light goods or clearing snow.



Pallet fork
Forks can be manually adjusted in width and folded up including transport lock.



Dung fork
Ideal for transporting straw manure.



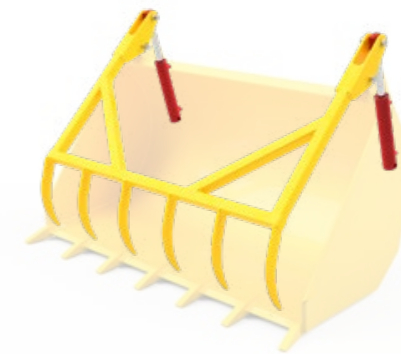
Combi loader with hydraulic grab comb
Incredibly versatile.



Transplanting fork
Ideal for transplanting trees in existing orchards.



Bale tine fork
Different tine lengths available.



Hydraulic grab comb
Can be combined with earth shovel and light goods shovel.



Harvesting tool
Simple but practical accessory for felling apple trees with pronounced refinement.

Indestructible! The Ilmer root-cutter

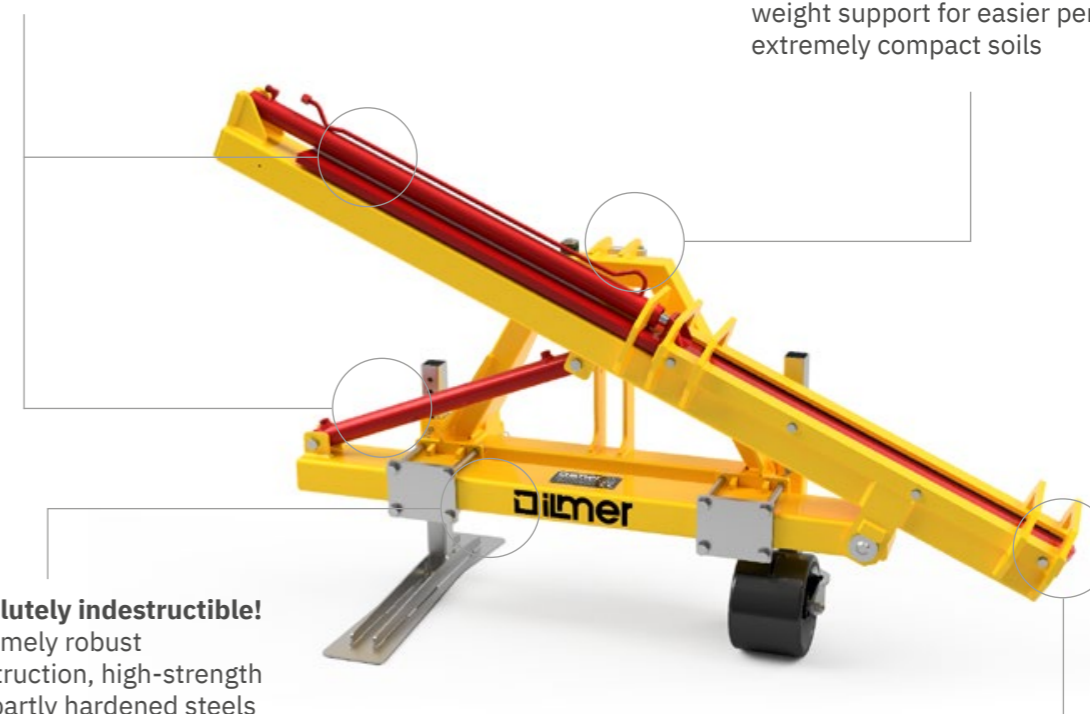


Fully adjustable!

Easy adjustment of cutting angle and depth - even while driving!

Individually configurable!

Front or rear mounting, optional with weight support for easier penetration into extremely compact soils



Absolutely indestructible!

Extremely robust construction, high-strength and partly hardened steels

Simply sleek!

Extremely wear-resistant blade, can also be used in stony soils

Model	WS
Penetration depth	82 cm
Tilt	+24° to +70°
Weight	220 kg



Adjustable - even while driving!

Easy adjustment of cutting angle and depth at the touch of a button. Thus, the growth of the respective culture can be regulated without the use of chemical agents.



Weight support!

Additional weights facilitate penetration into hard, compact soils. The standard weights of the tractor can be used for this purpose.

Bites without mercy! The Ilmer tree puller



Simply efficient!
Clear view thanks to compact design



This is fun!
Directly accessible lubrication points on all swivel joints

Big opening!
Effortlessly removes up to 15 cm thick tree trunks, concrete poles or wooden piles

Model	B99
Jaw opening	19 cm
Operating oil pressure	175 bar
Weight	79 kg



Bites without mercy!
The powerful gripper with lever transmission ensures a firm bite. Thus, tree trunks or vines can be uprooted quickly and easily.



Clamps with rubber coating!
Enables gentle gripping and pulling out without slipping off concrete poles.

Makes everything flat! The Ilmer land roller



All inclusive!
Front-rear mount, three point hitch
Cat. I and II with integrated floating position

That's fun!
High quality ball bearings
with direct accessible
greasing points



Heavyweight!
Filled with concrete - for maximum
weight with compact dimensions

Wear-resistant!
Solid, thick-walled roller body,
completely welded on both sides.

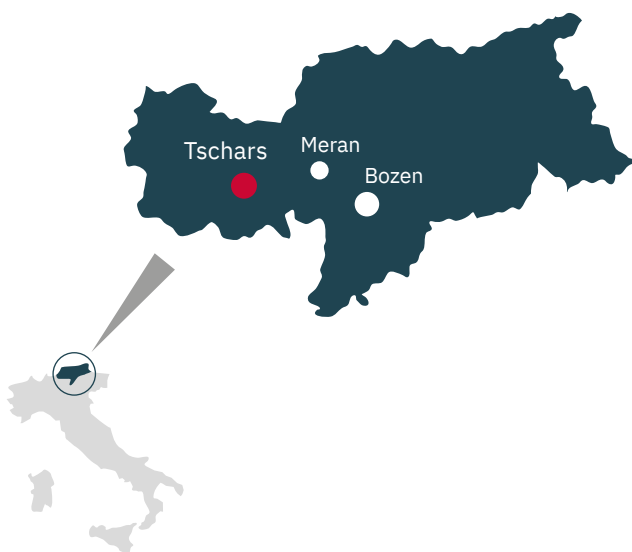
Model	PW 170	PW 210
Working width	170 cm	210 cm
Weight	1.100 kg	1.350 kg
Width	185 cm	225 cm
Depth	80 cm	80 cm



Makes everything flat!
High contact pressure thanks to optimum roller diameter
and maximum weight.



All inclusive!
For front or rear mount as well as Cat. I and II, it offers
maximum flexibility. Thanks to the integrated floating
position, it adapts optimally to the terrain.



MADE IN SOUTH TYROL

ILMER Maschinenbau Ltd.
Staatsstraße 74 | I-39020 Kastelbell-Tschars (BZ)
Phone +39 0473 624 133
info@ilmer.it | www.ilmer.it